

Order N° _____ Quotation
 Date _____ Signature _____
 Customer Ref. _____ User's weight Kg _____

PAGE 1/2
 Jan 2022

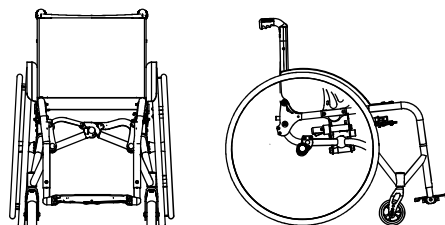


Dealer

Key standard option

QPX

WITH ADJUSTABLE AXLE

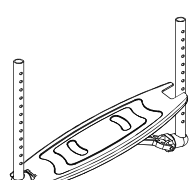


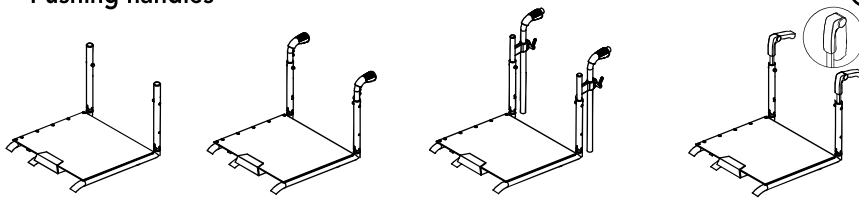
- ALUMINIUM TITANIUM
- L Seat width 34 36 38 40 42 44
 P Seat depth 36 38 40 42 44 46
 HS Back-rest height 27 29 31 33 35 37 39 41
 HA Front seat/floor height 46 48 50
 HP Rear seat/floor height 40 42 44 46 48
 DP Foot-rest/seat distance 37 39 41 43 45 47 49 cm

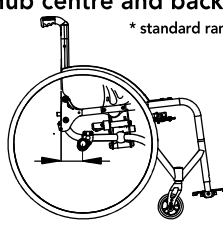
- Frame colour** ①
- Shiny titanium (ONLY TITANIUM FRAME)
 Natural titanium (ONLY TITANIUM FRAME)
 Glossy black Pearl white Matt black
 (see "Colours" catalogue)
 Neon green Neon orange

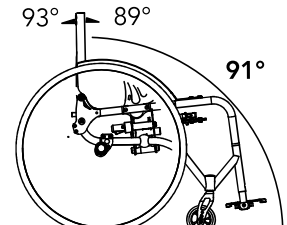
- Upholstery** ②
- Tension adjustable nylon back-rest
 Tens.adjustable breathable backrest
 Without backrest
 FAMEKH custom postural backrest
(fill up the proper order form)

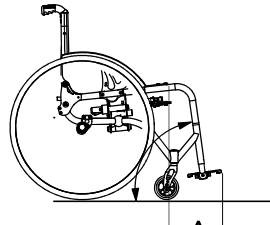
- Upholstery colour** ③
- Black
 Coloured.....
 Available colours:
 NYLON: orange, red, green, cornflower blue, light blue;
 BREATHABLE: dry green, red, grey;

- Automatic closure foot-plate in carbon ④
- 
- Foot-holding belts

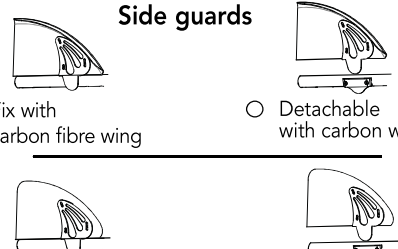
- Pushing handles** ⑤
- 
- Without pushing handles Fixed pushing handles Height adjustable pushing handles Foldable pushing handles


- Distance between the hub centre and back-rest** ⑥
- * standard range 5:11
- 
- 9 cm (standard) * 7 cm *
 5 cm * 11 cm *
 3 cm 13 cm

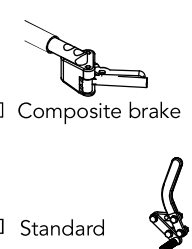
- Back-rest tilt** ⑦
- 
- 89° 91° (standard) 93°

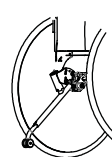
- Front angle** ⑧
- 
- 83° (standard) (A = 18 cm)
 75° (A = 25 cm)

- Rear wheel camber** ⑨
- 1° 2°
 3° 4°

- Side guards** ⑩
- 
- Fix with carbon fibre wing Detachable with carbon wing
 Fix with straight carbon fibre Detachable with straight carbon

- Height adjustable from 22 to 28cm "L" arm-rest, detachable and tip-up ⑪
- 
- Elbow-rest**
- Tubular
 Straight (26 cm long)
 Classic (23 cm long)
 Classic (30 cm long)

- Brakes** ⑫
- 
- Composite brake
 Standard Pull brake

- Revolving anti-tip device** ⑬
- 
- Right Left

Notes

Order N° _____ Quotation
 Date _____ Signature _____
 Costumer Ref. _____

PAGE 2/2
Jan 2022

QPX

Dealer

Rear wheels (14)

- 24" Ultralight (24 spokes)
 - 24" Light (24 spokes)
 - 24" Star 6x3 (18 spokes, silver or black)
 - 24" (36 spokes)
 - 24" Mountain-bike with Citybike tyre
 - 24" Mountain-bike with Offroad tyre
 - 24" Spineray
spokes colour.....(black stand.)
 - 25" Spineray
spokes colour.....(black stand.)
 - 25" Light (24 spokes) black
- Tyres**
- Pneum. Marathon Plus
 - Pneum. high pressure Smooth
 - Pneum. high pressure Plugged 24"
 - Pn.Schwalbe Right Run 24"
 - Solid 24" not available for Ultralight wheels

Pushrims (15)

- Aluminium silver
 - Aluminium dark
 - Chromium-plated steel 24"
 - Rubber coated
 - Titanium
 - CarboLife CURVE L 24" *
 - CL Curve L TetraGrip 24" *
 - CL Quadro rubber ctd 24" *
 - CarboLife GEKKO 24" *
 - Silicon covers 24"
- * Carbolife: only GEKKO suitable for Star 6x3
 * Carbolife not suitable for Mountainbike wheels

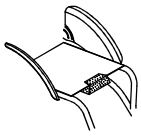
Spoke guards (16)

- Transparent 24"
 - Black 24"
 - Fantasy
code pattern
- (see catalogue of spokeguards)

Front castors (17)

- 80 (3") solid
- 80 (3") solid with lights
- 100 (4"x1.1/4) solid with plastic rim
- 100 (4"x1) solid with lights
- 100 (4"x1.1/4) solid with alum. rim
- 125 (5"x1.1/4) solid with plastic rim
- 125 (5"x1.1/4) solid with alum. rim
- 125 (5"x1) solid with lights
- 150 (6") pneumatic
- 150 (6") solid

Pockets (18)



- Small under the seat

Anodized set (20)

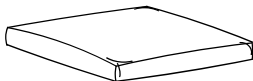
(Rear wheel rims & hubs if LIGHT 24", forks and fittings)

- Black
 - Silver
 - Light blue
 - Red
 - Orange
 - Cyclamen light purple
- (only 24" Light wheels)

Options

- 21 "M+F" velcro strips (hook and loop) on seat
- 22 "M" velcro strips (hook) on seat
- 23 "F" velcro strips (loop) on seat
- 24 Padded rigid cushion h 5
- 25 Chest harness
- 26 Chest belt
- 27 Abductor belt
- 28 Catheter holder pocket
- 29 Pump for pneumatics
- 30 45° pelvic belt
- 31 45° padded pelvic belt
- 32 Black backpack
- 33 Umbrella holder
- 34 Front protective covers

Lined cushion (19)
 in foam polyurethane



- 3 cm high
- 5 cm high

Notes

