

Order N° _____ Quotation
 Date _____ Signature _____
 Customer Ref. _____ User's weight Kg _____

PAGE
Jan 2022

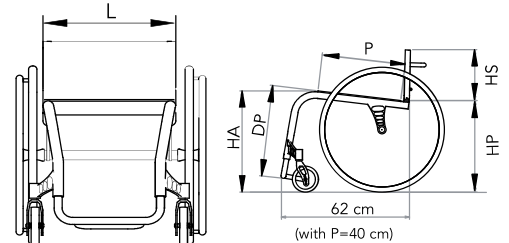


Dealer

Key standard option

EOS

- EOS FIX EOS ADJ
- L Seat width 34 36 38 40 42 44
 P Seat depth 36 38 40 42 44 46
 HS Back-rest height 27 29 31 33 35 37 39 41
 HA Front seat/floor height 46 48 50
 HP Rear seat/floor height 40 42 44 46 48
 DP Foot-rest/seat distance 37 39 41 43 45 47 49 cm



- Frame colour**
- Shiny titanium Glossy black ①
 Pearl white Matte black
 Natural titanium
 (see "Colours" catalogue)
 Neon green Neon orange

- Back-rest: Upholstery**
- Tension adj nylon Fix (stand.) ②
 Breathable tension adj Without seat
 Without back-rest:
 FAMEKH (separate order form)
 other seating system

- Back-rest upholstery colour** ③
- Black
 Coloured (nylon).....
 colours: orange, red, green, cornflower, light blue
 Coloured (breath).....
 colours: red, dry green, grey

- Tubular single titanium foot-rest** ④
-
- Open Carbon fibre closed Tilt adjustable Carbon fib.closed

- Pushing handles** ⑤
-
- Without pushing handles Fixed pushing handles Height adjustable pushing handles Foldable pushing handles

- Distance between the hub centre and back-rest** ⑥
-
- 9 cm (standard) 7 cm
 0 cm (biamputated) 11 cm
 3 cm 12 cm
 5 cm

- Back-rest tilt** ⑦
-
- 89° 91° (standard) 93°

- Front frame angle** ⑧
-
- 83° A = 14 cm (standard)
 75° A = 19 cm

- Rear wheel camber** ⑨
- 1° 2° 3° 4°
- Revolving anti-tip device** ⑩
- Right Left
-

- Side guards** ⑪
-
- Aluminium with carbon fibre wing Detachable with carbon f.wing
 Alumin. with straight carbon fibre Detachable w/straight crbn.f.

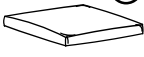
- Height adjustable from 22 to 28cm "L" arm-rest, detachable** ⑫
- Tip-up
- Elbow-rest**
- Tubular Straight (26 cm long) Classic (23 cm long) Classic (30 cm long)

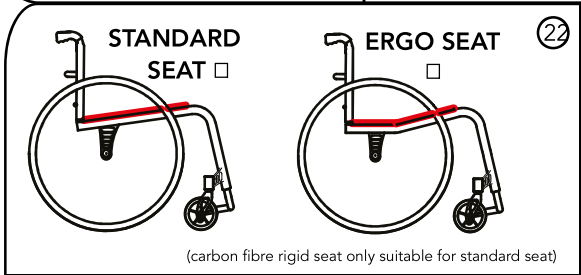
- Brakes** ⑬
-
- Scissor brake Composite brake
 Standard Pull brake

- Pockets** ⑭
-
- Seat pocket Big under the seat Back-rest pocket
- Backrest bar** ⑮
-
- Custom: dia.....mm
 P (bar).....cm;
 H (bar).....cm
 Standard: dia 19mm
 P (bar) 7,5cm;
 H (bar) 19cm.

Notes

Dealer _____

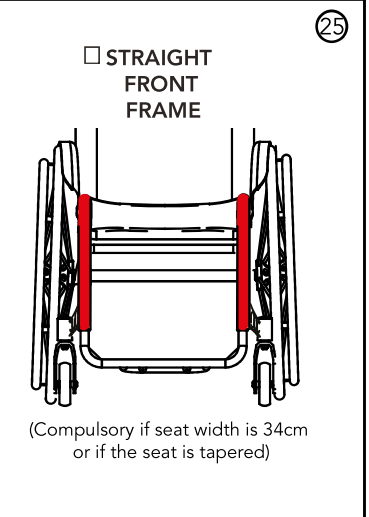
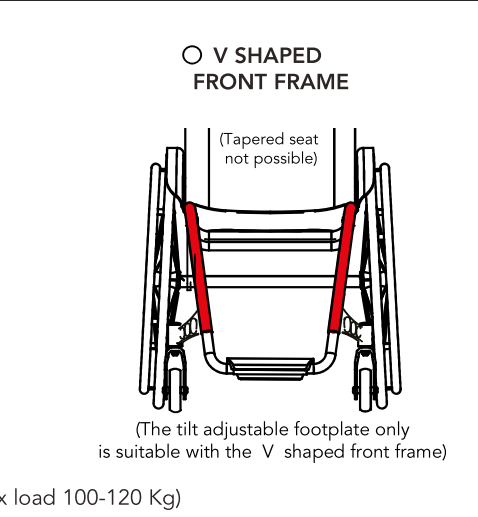
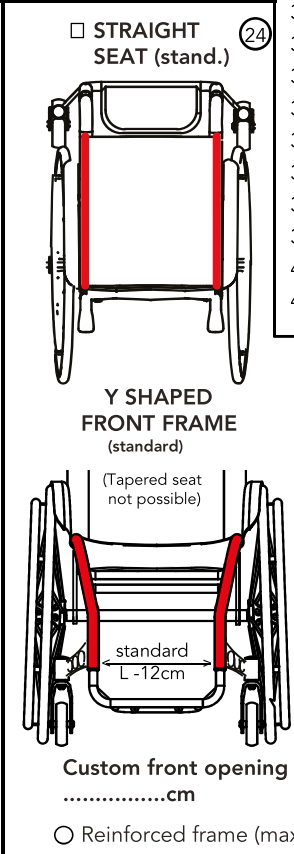
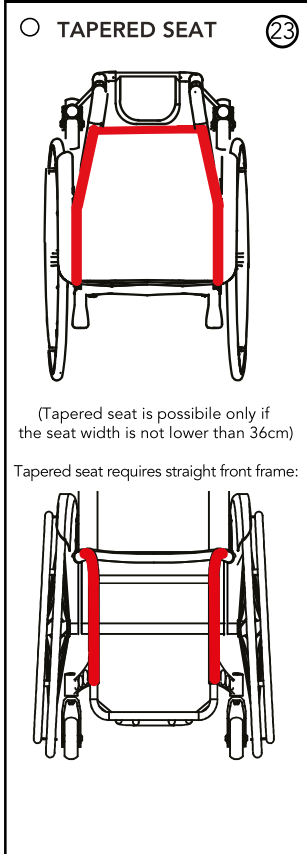
<p>Rear wheels (16)</p> <ul style="list-style-type: none"> <input type="checkbox"/> 24" Ultralight (24 spokes) <input type="checkbox"/> 24" Light (24 spokes) <input type="checkbox"/> 24" Star 6x3 (18 spokes, silver or black) <input type="checkbox"/> 24" (36 spokes) <input type="checkbox"/> 24" Mountain-bike with Citybike tyre <input type="checkbox"/> 24" Mountain-bike with Offroad tyre <input type="radio"/> 24" Spinergy spokes colour.....(black stand.) <input type="radio"/> 25" Spinergy spokes colour.....(black stand.) <input type="radio"/> 25" Light (24 spokes) black <p>Tyres</p> <ul style="list-style-type: none"> <input type="checkbox"/> Pneum. Marathon Plus <input type="checkbox"/> Pneum. high pressure Smooth <input type="checkbox"/> Pneum. high pressure Plugged 24" <input type="checkbox"/> Pn.Schwalbe Right Run 24" <input type="radio"/> Solid 24" not available for Ultralight wheels 	<p>Pushrims (17)</p> <ul style="list-style-type: none"> <input type="checkbox"/> Aluminium silver <input type="checkbox"/> Aluminium dark <input type="radio"/> Chromium-plated steel 24" <input type="radio"/> Rubber coated <input type="radio"/> Titanium <input type="radio"/> Carbolife CURVE L 24" * <input type="radio"/> CL Curve L TetraGrip 24" * <input type="radio"/> CL Quadro rubber ctd 24" * <input type="radio"/> Carbolife GEKKO 24" * <input type="radio"/> Silicon covers 24" <p><small>* Carbolife: only GEKKO suitable for Star 6x3 * Carbolife not suitable for Mountainbike wheels</small></p>	<p>Spokes guards (18)</p> <ul style="list-style-type: none"> <input type="radio"/> Transparent 24" <input type="radio"/> Black 24" <input type="radio"/> Fantasy code pattern <p>(see catalogue of spokeguards)</p>	<p>Front castors (19)</p> <ul style="list-style-type: none"> <input type="checkbox"/> 80 (3") solid <input type="radio"/> 80 (3") solid with lights <input type="checkbox"/> 100 (4"x1.1/4) solid with plastic rim <input type="radio"/> 100 (4"x1) solid with lights <input type="checkbox"/> 100 (4"x1.1/4) solid with alum. rim <input type="checkbox"/> 125 (5"x1.1/4) solid with plastic rim <input type="checkbox"/> 125 (5"x1.1/4) solid with alum. rim <input type="radio"/> 125 (5"x1) solid with lights
		<p>Anodized set (20) (Rear wheel hub & rims if LIGHT 24", sideguard supports, forks and fittings)</p> <ul style="list-style-type: none"> <input type="checkbox"/> Black (only 24" Light wheels) <input type="checkbox"/> Silver <input type="radio"/> Light blue <input type="radio"/> Red <input type="radio"/> Orange <input type="radio"/> Cyclamen light purple 	<p>Lined cushion (21) in foam polyurethan</p>  <ul style="list-style-type: none"> <input type="radio"/> 3 cm high <input type="radio"/> 5 cm high



- Options**
- 26 "M+F" velcro strips (hook and loop) on seat
 - 27 "M" velcro strips (hook) on seat
 - 28 "F" velcro strips (loop) on seat
 - 29 Padded rigid cushion h 5
 - 30 Chest harness
 - 31 Chest belt
 - 32 Abductor belt
 - 33 Catheter holder pocket
 - 34 Rx O Lx Crutch holder
 - 35 Pump for pneumatics
 - 36 Suitcase holder
 - 37 45° pelvic belt
 - 38 45° padded pelvic belt
 - 39 Black backpack
 - 40 Umbrella holder
 - 41 Front protective covers

7,5 kg configuration (FIX)
7,8 kg configuration (ADJ)

- Wheelchair 38x40x31 cm
- Nylon upholstery
- Frame Colour: Shiny Titanium
- Open foot-rest
- Without pushing handles
- Aluminium side guards with carbon fibre wing
- Scissor brakes
- Ultralight wheels
- Smooth high press. pneum. tyres
- Ultralight pushrim
- 80 mm front castors
- Without pockets
- Max load: 100 kg



Notes _____